

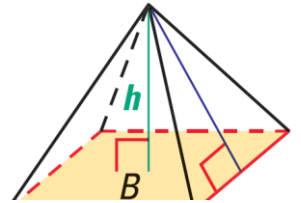
# Geometry

## 12.5 Volume of Pyramids and Cones (12.3, 12.4)

**Volume of a Pyramid**

$$V = \frac{1}{3} B h$$

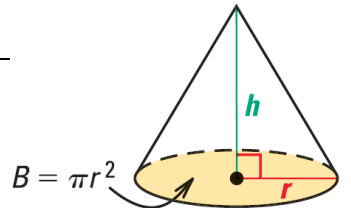
Where  $B$  = base area,  $h$  = height of pyramid



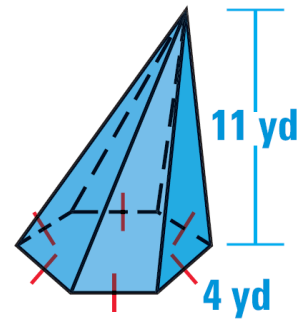
**Volume of a Cone**

$$V = \frac{1}{3} \pi r^2 h$$

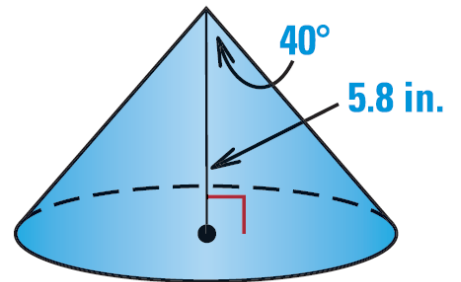
Where  $r$  = radius,  $h$  = height of cone



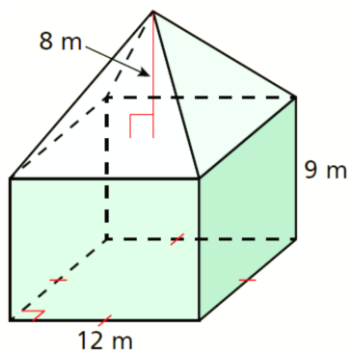
Find the volume.



Find the volume.



Find the volume of the composite solid.



Assignment: 639 #1, 2, 4, 8, 9, 10, 14, 16, 645 #5, 6, 8, 10, 13, 14, 17, 24, 25, 27, 29, 31 = 20